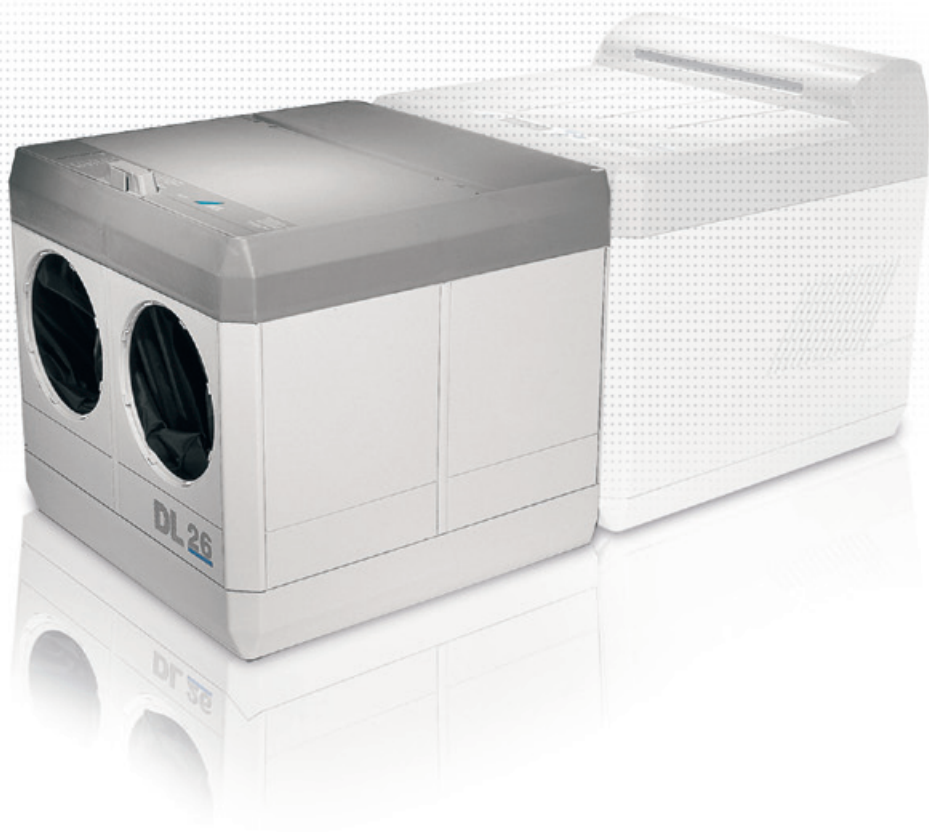


# DL 26 NDT

EN

Manual



9000-608-32/30



*hand*  
made in Germany

 DÜRR  
N D T



# Contents



## Important information

<b>1. General</b> .....	4
1.1 Official guidelines.....	4
1.2 Notes .....	4
1.3 Disposal of appliance .....	4
1.5 Correct Usage.....	4
1.6 Incorrect usage .....	4
<b>2. Safety</b> .....	5
2.1 General notes on safety .....	5
<b>3. Warning and symbols</b> .....	5
<b>4. Delivery contents</b> .....	5
<b>5. Technical data</b> .....	5



## Installation

<b>6. Reversing the Sleeves</b> .....	6
<b>7. Install the Daylight Cover</b> .....	6
<b>8. Install the Adjusting Screws</b> .....	7
<b>9. Install the Cartridge Holder</b> .....	8
<b>10. Install the Seal</b> .....	8



## Usage

<b>11. Film Storage</b> .....	9
-------------------------------	---



## Important information

### 1. General

#### 1.1 Official guidelines

The product has been subjected to a conformity evaluation process and conforms to the fundamental requirements of the applicable European directives.

#### 1.2 Notes

- The Installation and Operating Instructions constitute a part of the appliance. They must be made available to the operator. Correct observance of the Installation and Operating Instructions is a basic requirement for using the appliance properly and safely, and new personnel must be instructed accordingly. These Installation and Operating Instructions must be handed over to any subsequent owner or operator of this appliance.
- The safety of the operator and trouble-free operation of the appliance can only be ensured where original engineering manufactured parts are used. Additionally, only those accessories listed in the Installation and Operating Instructions may be used or parts or accessories expressly approved by Dürr NDT. If accessories are used manufactured by third parties, then Dürr NDT can no longer provide any guarantee for safe operation or correction functioning. Any claims arising from damage or injury when using third party or unapproved parts are invalid.
- Dürr NDT cannot be held responsible for the appliance with regard to safety, reliability and function where installation, reset, alterations, extension or repairs were not carried out either by or for Dürr NDT or by a third party specifically approved by Dürr NDT, or if the appliance is not used and operated according to the instructions laid down in the Installation and Operating Instructions.
- These Installation and Operating Instructions accord with the features of the appliance and the level of engineering at the time of first introduction of the model.
- This translation of the Installation and Operating Instructions has been carried out in good faith. Liability for incorrect translation will not be accepted. The accompanying German

version of these Installation and Operating Instructions are to be used as reference; if you have any doubt to the correct interpretation of the instructions please consult your dealer.

- A reprint of the Installation and Operating Instructions, also parts of it, is only permitted after written approval of the company Dürr NDT.
- Keep original packing for possible return of the appliance to the supplier. Do not let the packaging fall into the hands of children. Only the original packing ensures optimum protection for the appliance during transport. If, during the period of guarantee, return of the appliance is necessary, Dürr NDT will not accept claims for damage arising from using incorrect packaging during transport!

#### 1.3 Disposal of appliance

EU Directive(s) 2002/96/EC - WEEE (Waste Electric and Electronic Equipment) of 27th January 2003 and their current application in national law states that products covered by the above directive within the European Union must be disposed of as special waste.

If you have any questions concerning the correct disposal of this product please contact Dürr NDT.

#### 1.5 Correct Usage

The Dürr Daylight Cover DL 26 NDT is designed exclusively for attachment to the X-Ray Film Developer Unit XR 24 NDT.

The Daylight Cover DL 26 NDT is attached when a dark room is not available.

Correct usage of the appliance also involves observance of the Installation and Operating Instructions as well as keeping to set up, operating and maintenance procedures.

#### 1.6 Incorrect usage

Any other usage or usage beyond it is not considered the designated usage. The manufacturer will accept no claims for any damage or injury arising thereby. All risks will be borne by the operator and/or owner.

## 2. Safety

### 2.1 General notes on safety

This appliance has been designed and manufactured by Dürr NDT so that correct usage will result in no danger to operator or patient. However, we feel it is important to describe the following safety measures in order to remove any likelihood of danger.

- When operating this appliance all local and national rules and regulations must be observed!

This appliance must not be converted or altered in any way. Dürr NDT accepts no liability claims where an appliance has been converted or altered in any way. In the interests of safe usage of the appliance both operator and owner are responsible for seeing that all relevant appliance are observed.

- Installation must be executed by a technical expert.
- The operator must carefully check the appliance for safety of function and the proper working condition before every use.
- The operator must be trained in the correct operation of the appliance.
- This product is not to be operated in an area at risk through explosion, or an area with a combustible atmosphere.

## 3. Warning and symbols

The Installation and Operating Instructions makes use of the following terms and symbols for important information:



**information including preventative measures to protect injury to persons or damage.**



Special information regarding the economical use of the equipment and other information



Observe the Operating Instructions



CE Marking

EN

## 4. Delivery contents

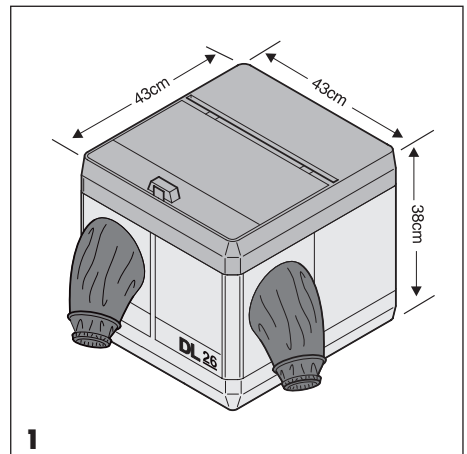
### Daylight Cover DL 26 NDT for X-Ray Film Developer Unit XR 24 NDT

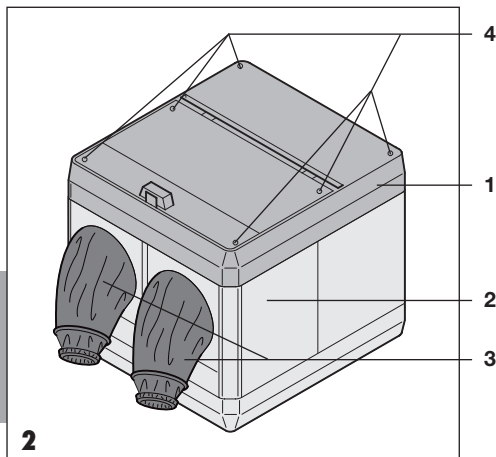
DL26 (with red light disc)..... 1734-920-00  
e.g. for 24x30 films in book cartridges.

## 5. Technical data

Model..... 1734-920-00

Dimensions (cm, L x W x H) ..... 43 x 43 x 38



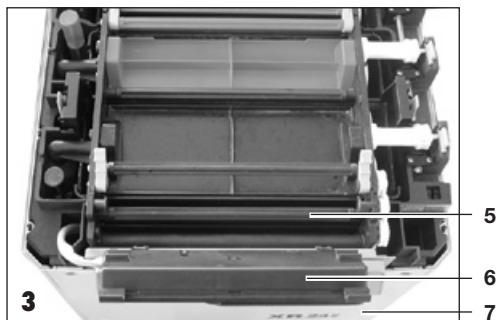


## Installation

### 6. Reversing the Sleeves

The side sections with the sleeves (3) can be installed on either side:

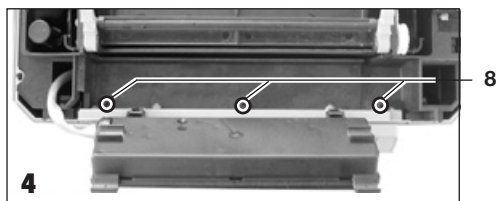
- Remove all 6 screws (4) in the top of the daylight cover.
- Remove the lid (1).
- Pull out the side sections with the sleeves (3) from above and exchange the side sections (2) accordingly.



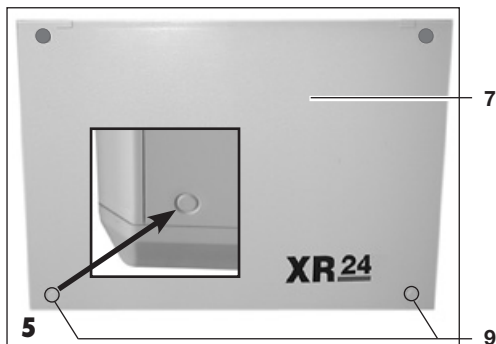
### 7. Install the Daylight Cover

Remove the front panel (7) of the developer unit as follows:

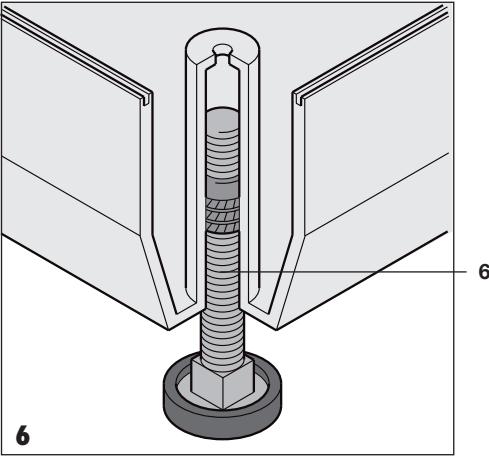
- Remove the top panel.
- Fold the display (6) down to the front.
- Remove the film infeed reel package (5).



- Loosen 3 screws (8).
- Remove the lid (7).

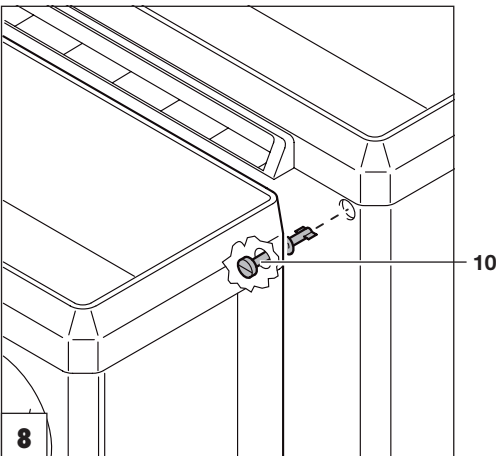
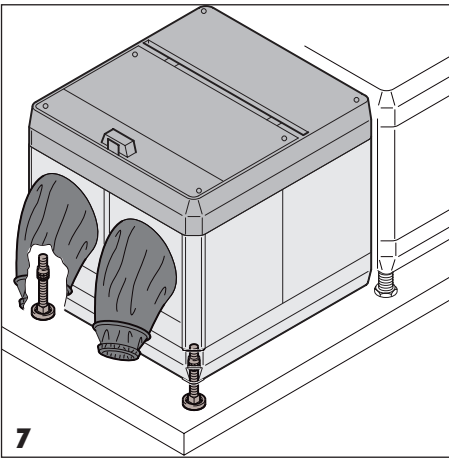


- Punch out the two perforated circles (9) at the bottom using suitable tools (e.g. hole punch).
- Install the lid (7) again and screw down.
- There are 4 quick couplers (10) in the rear panel of the daylight cover.



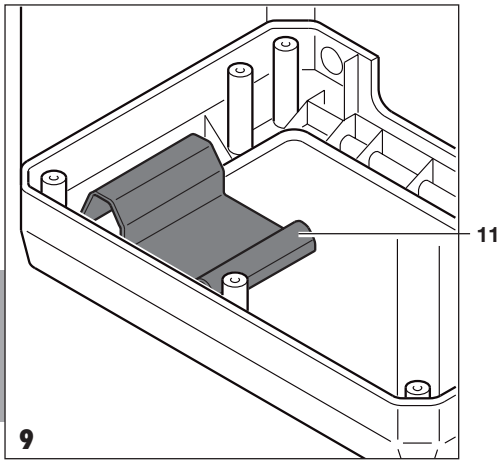
## 8. Install the Adjusting Screws

For installation of the adjusting screws (6), see Installation Instructions 9000-608-52, contained in the Retrofit Kit 1734-991-00.



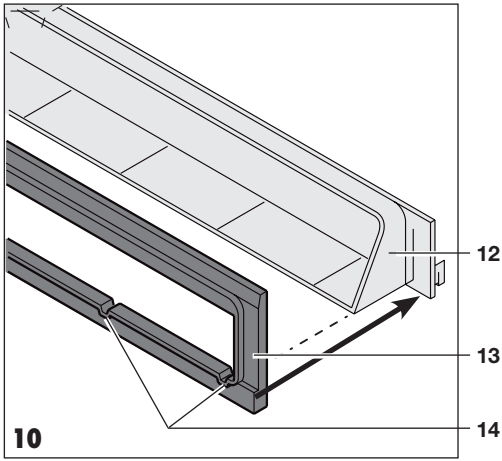
Attach the daylight cover to the Developer Unit XR24 NDT with the quick couplers.

Turn the quick couplers in clockwise direction until they lock.



## 9. Install the Cartridge Holder

Install the cartridge holder (11) on the left or right on the bottom of the daylight cover, depending on the method of working.

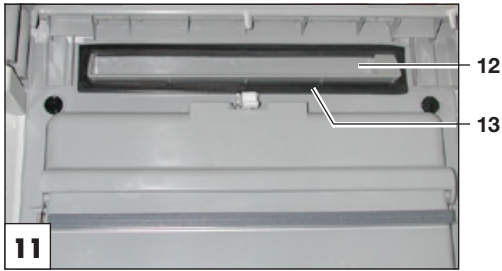


## 10. Install the Seal



The seal (12) prevents the ingress of stray light. The seal must therefore be installed and pressed in correctly as described below.

- Open the lid of the daylight cover.
- Install the seal (13) around the film inlet (12) so that the grooves (14) are at the bottom. Figures 10 and 11.

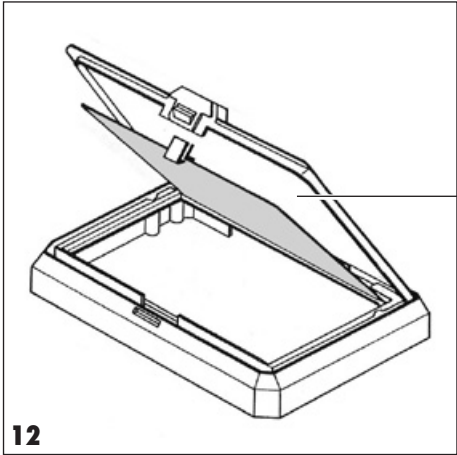


- Press in the seal exactly around the whole film inlet so that no stray light can enter the cover.



**After completing installation, test the daylight cover for light tightness (e.g. using a torch).**





12



## Usage

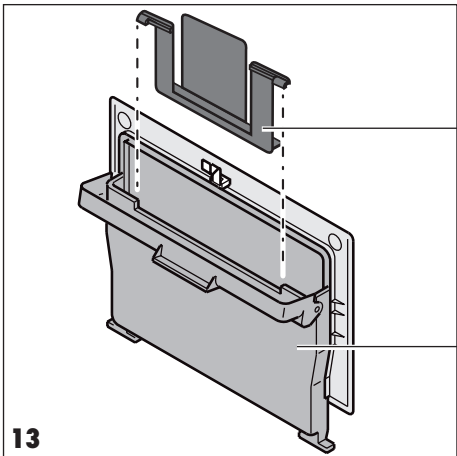


In order to avoid incorrect development, always observe the following points:

15

- Keep the lid (15) closed during film development.

- Close the film depot (17) after use. If using the film pocket (16), ensure that it is installed correctly.



13

16

## 11. Film Storage

- 16 Film pocket for storage of film formats up to 14 x 30 cm
- 17 Film depot for storage of film formats up to 24 x 30 cm



When storing the films in the film depot (17), ensure that a started film packet is always completely used up. Only in this way can you avoid ageing of a film, resulting in an increased basic grey mist.

17

- Always close the lid of the film depot (17) after taking out a film to avoid the risk of unwanted exposure.





**DÜRR NDT GmbH & Co. KG**

Höpfigheimer Straße 22 · 74321 Bietigheim-Bissingen, Germany  
Tel: +49 7142 993811-0 · Fax: +49 7142 993811-299  
info@duerr-ndt.de · www.duerr-ndt.de

